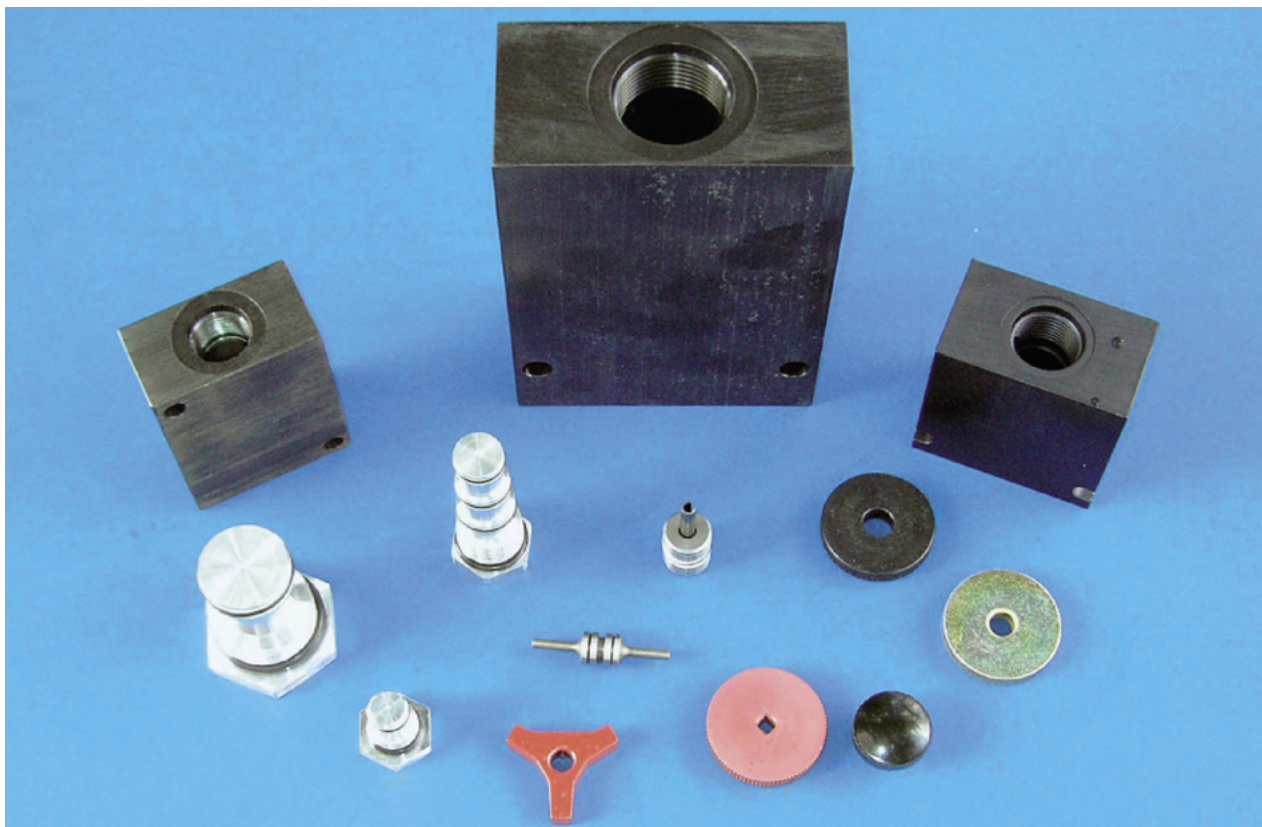


ACCESSORIES



| Section / Description                | page |
|--------------------------------------|------|
| <b>VALVE BODIES</b> .....            | AC2  |
| <b>CAVITY PLUGS</b> .....            | AC6  |
| <b>PILOT PISTON ASSEMBLIES</b> ..... | AC11 |
| <b>MANUAL OVERRIDE OPTIONS</b> ..... | AC12 |

W11 / 2017

**WARNING:** the specifications/application data shown in our catalogs and data sheets are intended only as a general guide for the product described (herein). Any specific application should not be undertaken without independent study, evaluation, and testing for suitability.



4484 Boeing Drive Rockford, IL 61109 • USA • Phone +1 (815) 397-6628 • Fax +1 (815) 397-2526  
 mail: delta@delta-power.com • www.delta-power.com



Via Malavolti, 36 • 41122 Modena • ITALY • Phone +39 (059) 254895 • Fax +39 (059) 253512  
 mail: tecnord@tecnord.com • www.tecnord.com

## VALVE BODIES - TECNORD

| STANDARD BODIES (ALUMINIUM) |           |             |                 |            |    |     |    |     |    |
|-----------------------------|-----------|-------------|-----------------|------------|----|-----|----|-----|----|
|                             | PORT SIZE | P/N         | STYLE / SIZE    | DIMENSIONS |    |     |    |     |    |
|                             |           |             |                 | A          | B  | C   | D  | E   | F  |
|                             | 1/4 BSP   | 13.1011.001 | 2W-5/8          | 30         | 50 | 50  | 25 | 42  | 34 |
|                             | #6SAE     | 13.1011.141 | 2W-5/8          | 30         | 50 | 50  | 25 | 42  | 34 |
|                             | 1/4 BSP   | 13.1011.002 | 3W-5/8          | 30         | 50 | 60  | 25 | 52  | 34 |
|                             | #6SAE     | 13.1011.142 | 3W-5/8          | 30         | 50 | 60  | 25 | 52  | 34 |
|                             | 1/4 BSP   | 13.1011.003 | 4W-5/8          | 30         | 60 | 70  | 30 | 62  | 44 |
|                             | #6SAE     | 13.1011.143 | 4W-5/8          | 30         | 60 | 70  | 30 | 62  | 44 |
|                             | 1/4 BSP   | 13.1011.124 | 2W-3/4          | 30         | 50 | 50  | 23 | 42  | 34 |
|                             | 3/8 BSP   | 13.1011.125 | 2W-3/4          | 30         | 50 | 50  | 23 | 42  | 34 |
|                             | #6 SAE    | 13.1011.144 | 2W-3/4          | 30         | 50 | 50  | 23 | 42  | 34 |
|                             | 1/4 BSP   | 13.1011.126 | 3W-3/4          | 30         | 60 | 70  | 30 | 52  | 44 |
|                             | 3/8 BSP   | 13.1011.127 | 3W-3/4          | 30         | 60 | 70  | 30 | 52  | 44 |
|                             | #6 SAE    | 13.1011.145 | 3W-3/4          | 30         | 60 | 70  | 30 | 52  | 44 |
|                             | 1/4 BSP   | 13.1011.128 | 4W-3/4          | 30         | 60 | 80  | 30 | 72  | 44 |
|                             | 3/8 BSP   | 13.1011.129 | 4W-3/4          | 30         | 60 | 80  | 30 | 72  | 44 |
|                             | #6 SAE    | 13.1011.146 | 4W-3/4          | 30         | 60 | 80  | 30 | 72  | 44 |
|                             | 3/8 BSP   | 13.1011.116 | 2W-7/8          | 30         | 60 | 60  | 25 | 52  | 44 |
|                             | 1/2 BSP   | 13.1011.115 | 2W-7/8          | 30         | 60 | 60  | 25 | 52  | 44 |
|                             | #8 SAE    | 13.1011.147 | 2W-7/8          | 30         | 60 | 60  | 25 | 52  | 44 |
|                             | 3/8 BSP   | 13.1011.118 | 3W-7/8          | 30         | 60 | 70  | 30 | 62  | 44 |
|                             | #6 SAE    | 13.1011.148 | 3W-7/8          | 30         | 60 | 70  | 30 | 62  | 44 |
|                             | 3/8 BSP   | 13.1011.121 | 4W-7/8          | 30         | 60 | 85  | 30 | 77  | 44 |
|                             | #6 SAE    | 13.1011.149 | 4W-7/8          | 30         | 60 | 85  | 30 | 77  | 44 |
|                             | 3/4 BSP   | 13.1011.130 | 2W-1 1/16       | 50         | 80 | 80  | 40 | 70  | 60 |
|                             | #12 SAE   | 13.1011.138 | 2W-1 1/16       | 50         | 80 | 80  | 40 | 70  | 60 |
|                             | 3/4 BSP   | 13.1011.131 | 3W-1 1/16       | 50         | 80 | 100 | 40 | 80  | 60 |
|                             | #12 SAE   | 13.1011.139 | 3W-1 1/16       | 50         | 80 | 100 | 40 | 80  | 60 |
|                             | 1/2 BSP   | 13.1011.132 | 4W-1 1/16       | 50         | 80 | 125 | 40 | 100 | 50 |
|                             | #10 SAE   | 13.1011.140 | 4W-1 1/16       | 50         | 80 | 125 | 40 | 100 | 50 |
|                             | 3/4 BSP   | 13.1011.008 | 2W-1 5/16       | 50         | 80 | 80  | 34 | 60  | 60 |
|                             | #12 SAE   | 13.1011.137 | 2W-1 5/16       | 50         | 80 | 80  | 34 | 60  | 60 |
|                             | 3/4 BSP   | 13.1011.153 | 3W-1 5/16       | 50         | 80 | 100 | 40 | 80  | 60 |
|                             | 3/4 BSP   | 13.1011.155 | 3W-1 5/16 SHORT | 50         | 90 | 85  | 45 | 65  | 70 |
|                             | #12 SAE   | 13.1011.154 | 3W-1 5/16       | 50         | 80 | 100 | 40 | 80  | 60 |

*The following bodies are for the slip-in style cartridges. Contact factory for price and availability*

|  |         |               |               |    |    |    |    |    |    |
|--|---------|---------------|---------------|----|----|----|----|----|----|
|  | 3/8 BSP | 13.1011.042/A | 3W-cavity 042 | 30 | 70 | 80 | 35 | 72 | 54 |
|  | 1/4 BSP | 13.1011.086   | 3W-cavity 043 | 40 | 60 | 50 | 30 | 40 | 40 |
|  | 3/8 BSP | 13.1011.133   | 3W-cavity 057 | 50 | 60 | 70 | 30 | 62 | 44 |
|  | #6 SAE  | 13.1011.136   | 3W-cavity 057 | 50 | 60 | 70 | 30 | 62 | 44 |
|  | 3/8 BSP | 13.1011.134   | 4W-cavity 058 | 50 | 60 | 85 | 30 | 77 | 44 |
|  | #6 SAE  | 13.1011.135   | 4W-cavity 058 | 50 | 60 | 85 | 30 | 77 | 44 |
|  | #8 SAE  | 13.1011.191   | 3W-cavity 059 | 50 | 90 | 80 | 45 | 73 | 76 |
|  | 1/4 BSP | 13.1011.080   | 3W-cavity 059 | 50 | 90 | 80 | 30 | 73 | 76 |

**WARNING:** the specifications/application data shown in our catalogs and data sheets are intended only as a general guide for the product described (herein). Any specific application should not be undertaken without independent study, evaluation, and testing for suitability.



4484 Boeing Drive Rockford, IL 61109 • USA • Phone +1 (815) 397-6628 • Fax +1 (815) 397-2526  
mail: delta@delta-power.com • www.delta-power.com

**TECNORD** •

Via Malavolti, 36 • 41122 Modena • ITALY • Phone +39 (059) 254895 • Fax +39 (059) 253512  
mail: tecnord@tecnord.com • www.tecnord.com

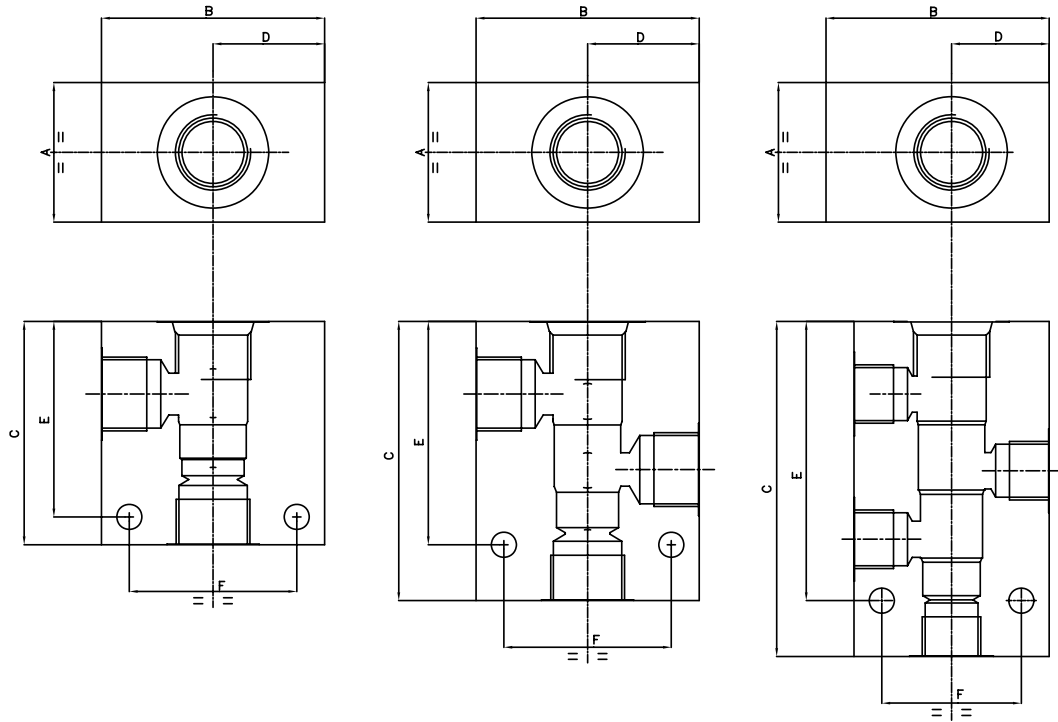
VALVE BODIES - TECNORD

2 ways

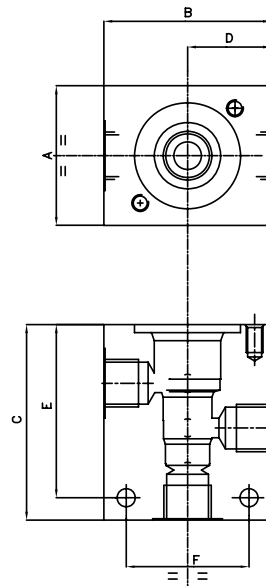
3 ways

4 ways

Standard



Special  
(for slip-in style cartridges)



W 11 / 2017

**WARNING:** the specifications/application data shown in our catalogs and data sheets are intended only as a general guide for the product described (herein). Any specific application should not be undertaken without independent study, evaluation, and testing for suitability.



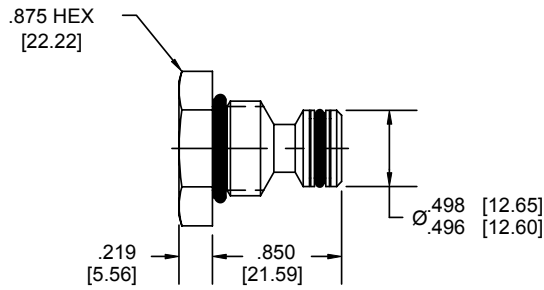
4484 Boeing Drive Rockford, IL 61109 • USA • Phone +1 (815) 397-6628 • Fax +1 (815) 397-2526  
mail: delta@delta-power.com • www.delta-power.com



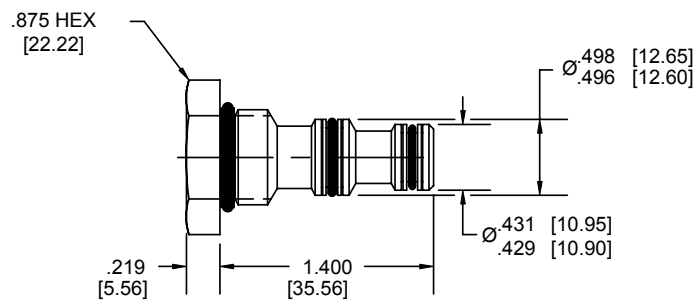
Via Malavolti, 36 • 41122 Modena • ITALY • Phone +39 (059) 254895 • Fax +39 (059) 253512  
mail: tecnord@tecnord.com • www.tecnord.com

MINI SERIES CAVITY PLUGS

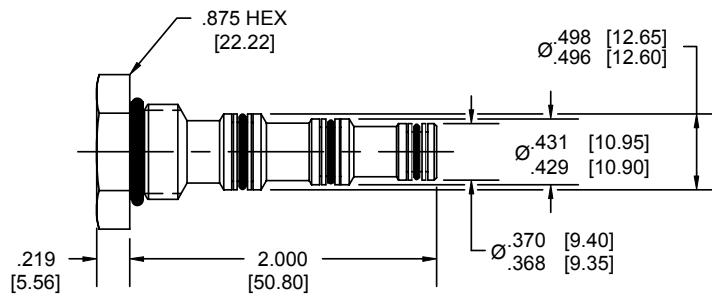
NOTE: dimensions in brackets are millimeters



2W 2P CAVITY PLUG  
MA SERIES



3W 2P CAVITY PLUG  
MC SERIES



4W 2P CAVITY PLUG  
MD SERIES

ORDERING INFORMATION

**Standard Model Number**

2 Way  
3 Way  
4 Way

**MA**  
**MC**  
**MD**

**00**  
**V0**

**Options**

Standard Buna  
Standard Viton

WARNING: the specifications/application data shown in our catalogs and data sheets are intended only as a general guide for the product described (herein). Any specific application should not be undertaken without independent study, evaluation, and testing for suitability.



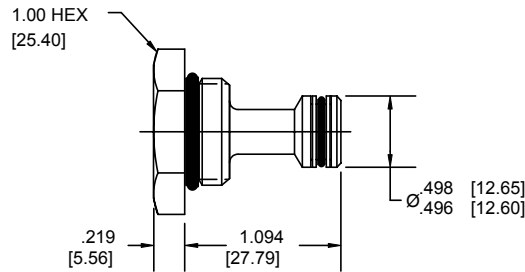
4484 Boeing Drive Rockford, IL 61109 • USA • Phone +1 (815) 397-6628 • Fax +1 (815) 397-2526  
mail: delta@delta-power.com • www.delta-power.com



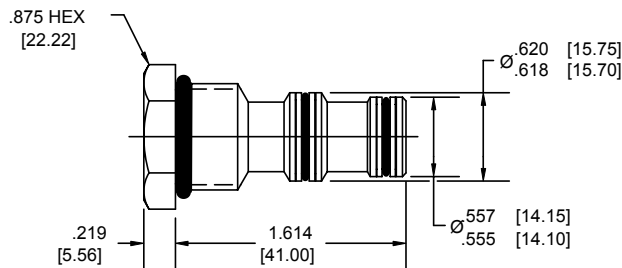
Via Malavolti, 36 • 41122 Modena • ITALY • Phone +39 (059) 254895 • Fax +39 (059) 253512  
mail: tecnord@tecnord.com • www.tecnord.com

**POWER SERIES CAVITY PLUGS**

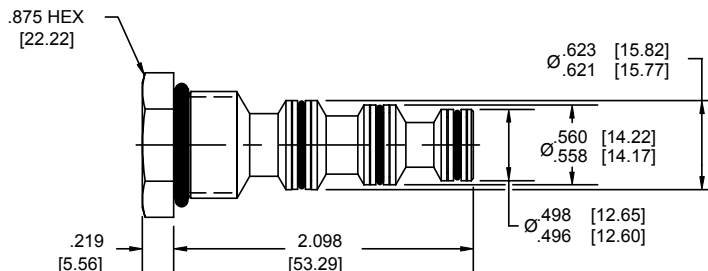
**NOTE: dimensions in brackets are millimeters**



2W 2P CAVITY PLUG  
PB SERIES



3W 2P CAVITY PLUG  
PP SERIES



4W 2P CAVITY PLUG  
PQ SERIES

**ORDERING INFORMATION**

**Standard Model Number**

2 Way  
3 Way  
4 Way

PB  
PP  
PQ

00  
V0

**Options**

Standard Buna  
Standard Viton

W 11 / 2017

**WARNING:** the specifications/application data shown in our catalogs and data sheets are intended only as a general guide for the product described (herein). Any specific application should not be undertaken without independent study, evaluation, and testing for suitability.



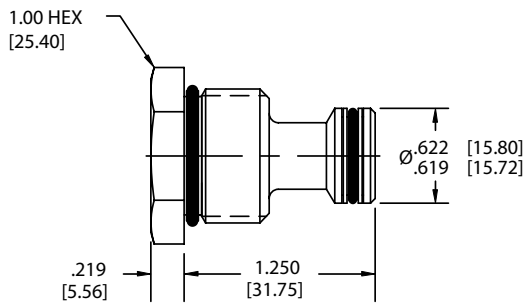
4484 Boeing Drive Rockford, IL 61109 • USA • Phone +1 (815) 397-6628 • Fax +1 (815) 397-2526  
mail: delta@delta-power.com • www.delta-power.com



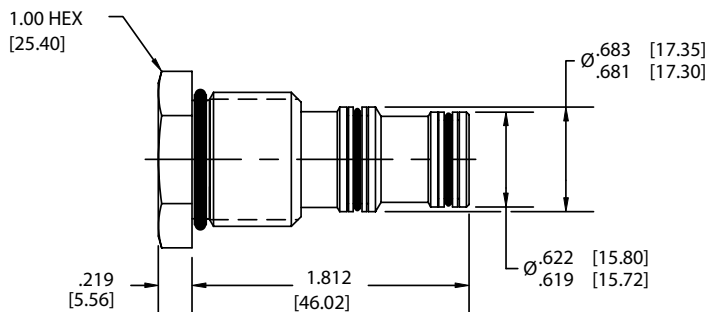
Via Malavolti, 36 • 41122 Modena • ITALY • Phone +39 (059) 254895 • Fax +39 (059) 253512  
mail: tecnord@tecnord.com • www.tecnord.com

**DELTA SERIES CAVITY PLUGS**

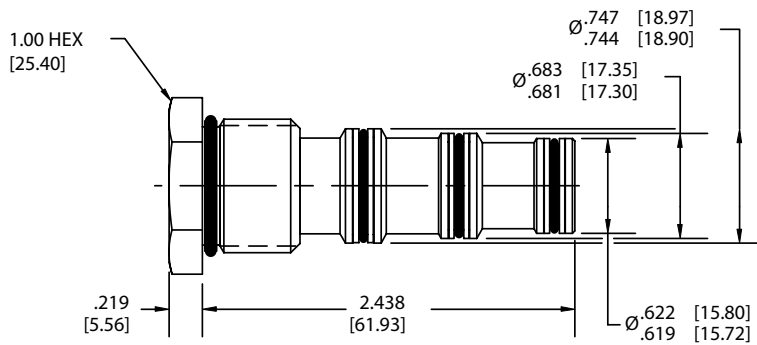
**NOTE: dimensions in brackets are millimeters**



**2W 2P CAVITY PLUG  
DE SERIES**



**3W 2P CAVITY PLUG  
DF SERIES**



**4W 2P CAVITY PLUG  
DG SERIES**

**ORDERING INFORMATION**

**Standard Model Number**

2 Way  
3 Way  
4 Way

**DE**  
**DF**  
**DG**

**00**  
**V0**

**Options**

Standard Buna  
Standard Viton

**WARNING:** the specifications/application data shown in our catalogs and data sheets are intended only as a general guide for the product described (herein). Any specific application should not be undertaken without independent study, evaluation, and testing for suitability.



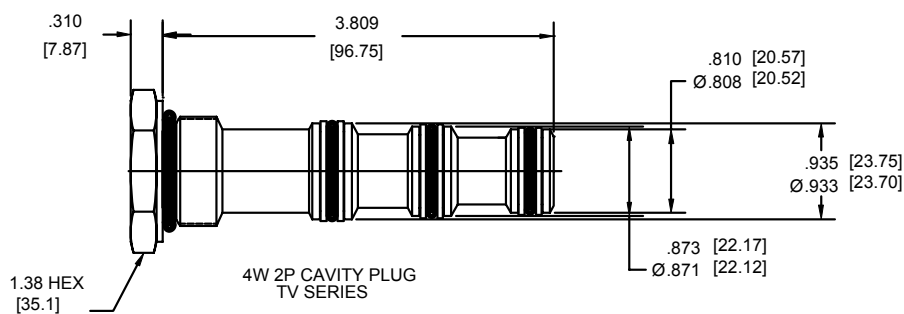
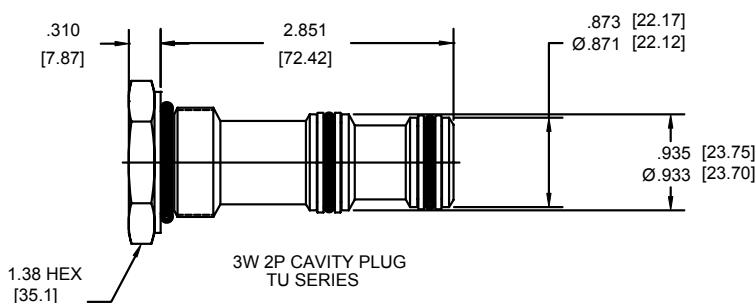
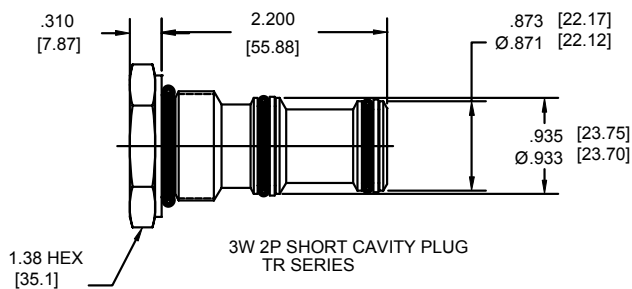
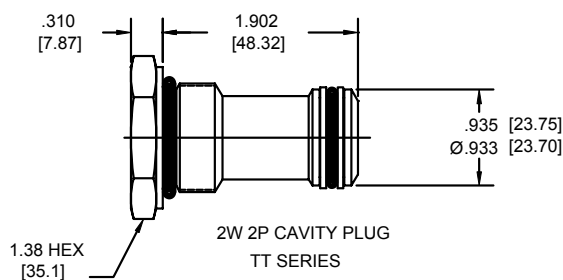
4484 Boeing Drive Rockford, IL 61109 • USA • Phone +1 (815) 397-6628 • Fax +1 (815) 397-2526  
mail: delta@delta-power.com • www.delta-power.com



Via Malavolti, 36 • 41122 Modena • ITALY • Phone +39 (059) 254895 • Fax +39 (059) 253512  
mail: tecnord@tecnord.com • www.tecnord.com

**TECNORD SERIES CAVITY PLUGS**

**NOTE: dimensions in brackets are millimeters**



**ORDERING INFORMATION**

**Standard Model Number**

|             |    |    |
|-------------|----|----|
| 2 Way       | TT | 00 |
| 3 Way       | TU | V0 |
| 3 Way Short | TR |    |
| 4 Way       | TV |    |

**Options**

Standard Buna  
Standard Viton

W11 / 2017

**WARNING:** the specifications/application data shown in our catalogs and data sheets are intended only as a general guide for the product described (herein). Any specific application should not be undertaken without independent study, evaluation, and testing for suitability.



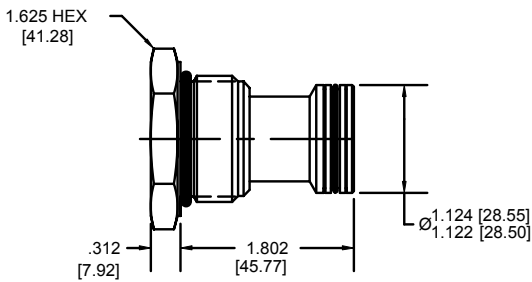
4484 Boeing Drive Rockford, IL 61109 • USA • Phone +1 (815) 397-6628 • Fax +1 (815) 397-2526  
mail: delta@delta-power.com • www.delta-power.com



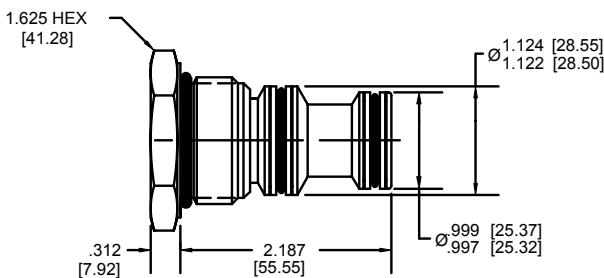
Via Malavolti, 36 • 41122 Modena • ITALY • Phone +39 (059) 254895 • Fax +39 (059) 253512  
mail: tecnord@tecnord.com • www.tecnord.com

**SUPER SERIES CAVITY PLUGS**

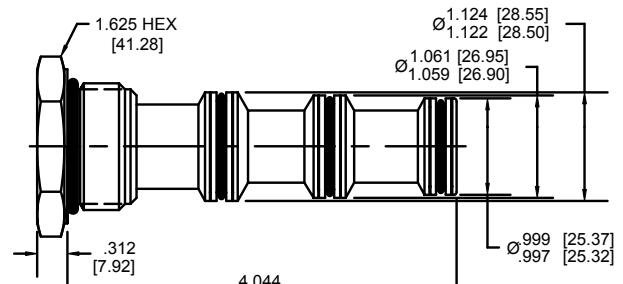
**NOTE: dimensions in brackets are millimeters**



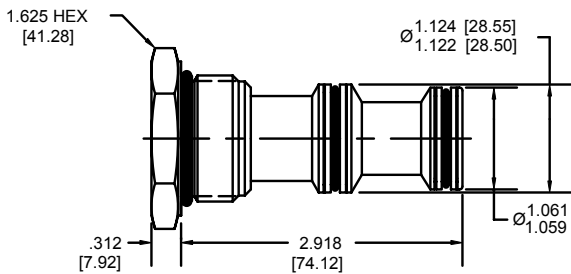
2W 2P CAVITY PLUG  
SJ SERIES



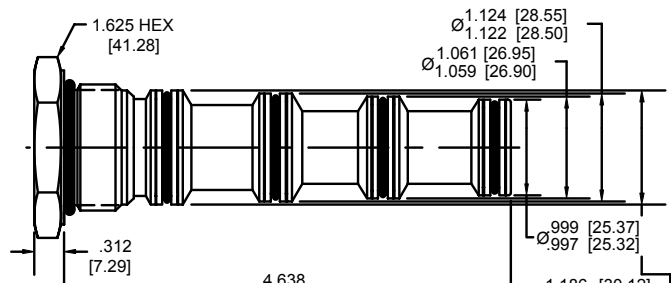
3W 2P SHORT CAVITY PLUG  
SL SERIES



4W 2P CAVITY PLUG  
SM SERIES



3W 2P CAVITY PLUG  
SK SERIES



5W 2P SHORT CAVITY PLUG  
SO SERIES

**ORDERING INFORMATION**

**Standard Model Number**

|             |           |           |
|-------------|-----------|-----------|
| 2 Way       | <b>SJ</b> | <b>00</b> |
| 3 Way Short | <b>SL</b> | <b>V0</b> |
| 3 Way       | <b>SK</b> |           |
| 4 Way       | <b>SM</b> |           |
| 5 Way Short | <b>S0</b> |           |

**Options**

Standard Buna  
Standard Viton

**WARNING:** the specifications/application data shown in our catalogs and data sheets are intended only as a general guide for the product described (herein). Any specific application should not be undertaken without independent study, evaluation, and testing for suitability.



4484 Boeing Drive Rockford, IL 61109 • USA • Phone +1 (815) 397-6628 • Fax +1 (815) 397-2526  
mail: delta@delta-power.com • www.delta-power.com



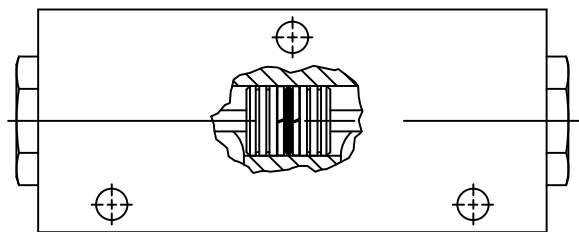
Via Malavolti, 36 • 41122 Modena • ITALY • Phone +39 (059) 254895 • Fax +39 (059) 253512  
mail: tecnord@tecnord.com • www.tecnord.com



**PILOT PISTON ASSEMBLIES**

**DESCRIPTION**

These pistons are used in a manifold to create pilot operated valve assemblies, such as pilot operated checks.



**FEATURES**

- O-rings on piston are optional.
- One piece design or pressed fit dowel pins
- Single or double pilot piston options.

**PISTON SPECIFICATIONS**

| VALVE SERIES | SEAT DIAMETER | PILOT RATIO |
|--------------|---------------|-------------|
| MINI         | .193          | 6.7:1       |
| POWER        | .250          | 4:1         |
| DELTA        | .312          | 4:1         |
| SUPER        | .590          | 3.7:1       |

|                            |                            |
|----------------------------|----------------------------|
| <p><b>MINI SERIES</b></p>  | <p><b>POWER SERIES</b></p> |
| <p><b>DELTA SERIES</b></p> | <p><b>SUPER SERIES</b></p> |

| CAVITY INFORMATION | SERIES | BORE DIAMETER | DOUBLE - SPOTFACE DIM. | SINGLE - SPOTFACE DIM. |
|--------------------|--------|---------------|------------------------|------------------------|
|                    |        | A             | B                      | C                      |
|                    | MINI   | .500/.502     | 3.313                  | 2.031                  |
|                    | POWER  | .500/.502     | 4.250                  | 2.406                  |
|                    | DELTA  | .625/.627     | 4.500                  | 2.750                  |
|                    | SUPER  | 1.126/1.128   | 6.938                  | 4.000                  |

**ORDERING INFORMATION**

|  |                       |          |                |                 |                          |
|--|-----------------------|----------|----------------|-----------------|--------------------------|
|  | <b>PISTON</b>         |          | <b>SEALS</b>   |                 | <b>PILOT PIN OPTIONS</b> |
|  | MINI Series .500 DIA  | <b>M</b> | <b>B</b> Buna  | <b>S</b> Single |                          |
|  | POWER Series .500 DIA | <b>P</b> | <b>V</b> Viton | <b>D</b> Double |                          |
|  | DELTA Series .625 DIA | <b>D</b> | <b>O</b> Omit  |                 |                          |
|  | SUPER Series 1.12 DIA | <b>S</b> |                |                 |                          |

**WARNING:** the specifications/application data shown in our catalogs and data sheets are intended only as a general guide for the product described (herein). Any specific application should not be undertaken without independent study, evaluation, and testing for suitability.

W/11 / 2017



4484 Boeing Drive Rockford, IL 61109 • USA • Phone +1 (815) 397-6628 • Fax +1 (815) 397-2526  
 mail: delta@delta-power.com • www.delta-power.com



Via Malavolti, 36 • 41122 Modena • ITALY • Phone +39 (059) 254895 • Fax +39 (059) 253512  
 mail: tecnord@tecnord.com • www.tecnord.com

**MANUAL OVERRIDE OPTIONS - SOLENOID OPERATED VALVES**

**PULL TYPE MANUAL OVERRIDE OPTION**

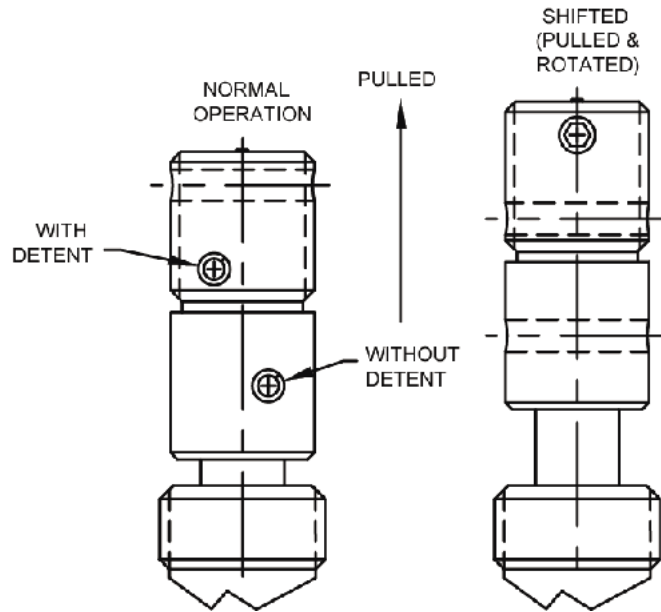
Standard override option for pull type solenoid valves.

This override is offered with or without the detent option.

With detent option, pull and rotate 180 degrees, when released the override will remain in that position.

To return to the normal operating position, Rotate knob 180 degrees and release.

Without the detent option, knob must be pulled and held to maintain override position.



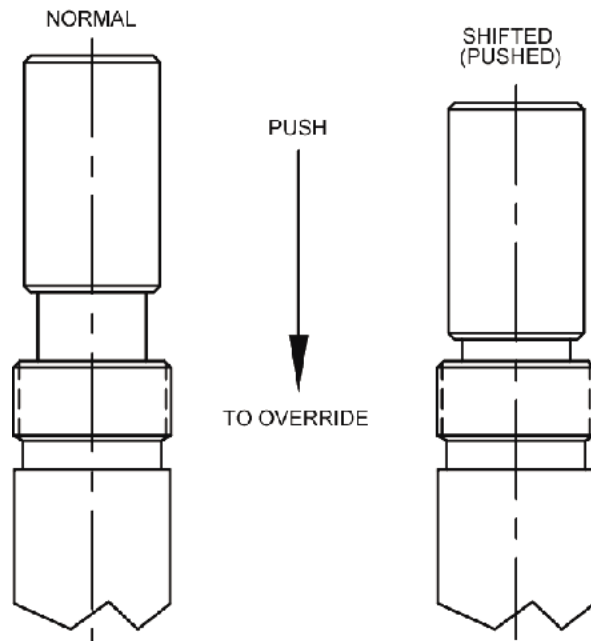
**PUSH TYPE MANUAL OVERRIDE OPTION**

Standard push type override option used for 4W3P valves.

To activate override option, push knob and Hold, when released, the valve returns to normal operation position.

**Note:** override option only functions in the push (S1 coil) direction.

This override option is intended for emergency use only and is not intended for continuous duty operation.



**WARNING:** the specifications/application data shown in our catalogs and data sheets are intended only as a general guide for the product described (herein). Any specific application should not be undertaken without independent study, evaluation, and testing for suitability.



4484 Boeing Drive Rockford, IL 61109 • USA • Phone +1 (815) 397-6628 • Fax +1 (815) 397-2526  
 mail: delta@delta-power.com • www.delta-power.com



Via Malavolti, 36 • 41122 Modena • ITALY • Phone +39 (059) 254895 • Fax +39 (059) 253512  
 mail: tecnord@tecnord.com • www.tecnord.com

**MANUAL OVERRIDE OPTIONS - SOLENOID OPERATED VALVES**

**ROTARY TYPE MANUAL OVERRIDE OPTION**

Standard rotary override option for normally open valves.

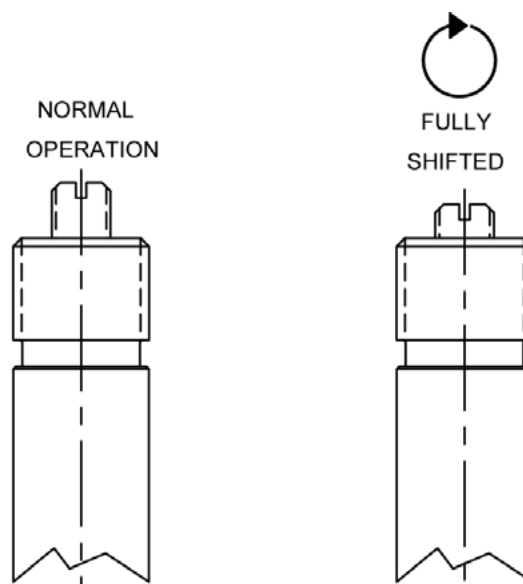
This override option is offered with or without a knob.

To activate override option, fully rotate using a flat tip screwdriver or the knob in a clockwise direction.

To de-activate override, fully rotate using a flat tip screwdriver or the knob in a counter clockwise direction.

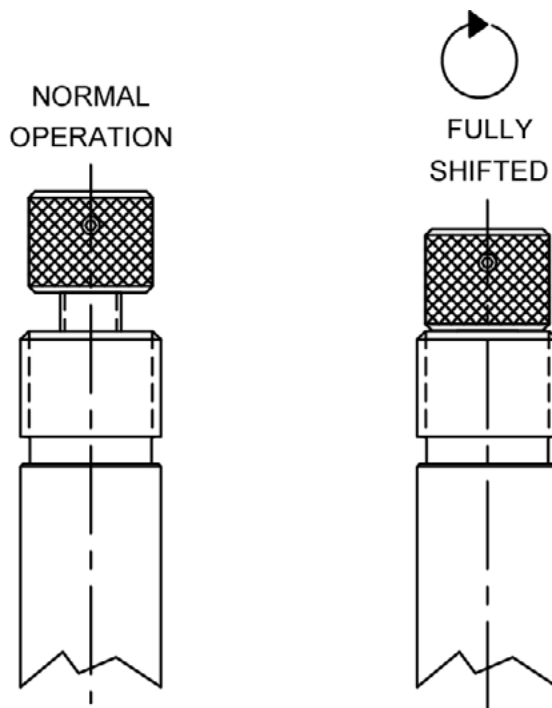
Note: not rotating override fully in either direction will result in partial shifting of valve.

**WARNING:** Over torque of manual override could result in valve damage.



Note: rotary Pull Type Manual Override Option (Pull type Valves-Reference Models HB-S2A & HB-S2B).

Because HB-S2A & HB-S2B are Pull type Valves, “fully in” is the normal state and “fully out” is “fully shifted” state so opposite of what is shown in image.”



W 11 / 2017

**WARNING:** the specifications/application data shown in our catalogs and data sheets are intended only as a general guide for the product described (herein). Any specific application should not be undertaken without independent study, evaluation, and testing for suitability.

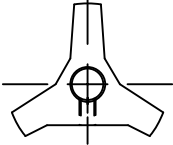
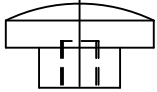
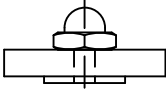
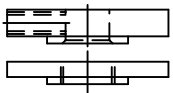

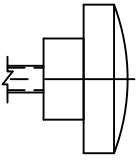
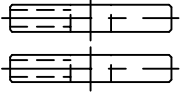
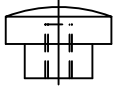
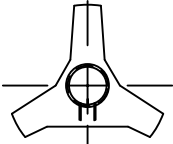


4484 Boeing Drive Rockford, IL 61109 • USA • Phone +1 (815) 397-6628 • Fax +1 (815) 397-2526  
 mail: delta@delta-power.com • www.delta-power.com



Via Malavolti, 36 • 41122 Modena • ITALY • Phone +39 (059) 254895 • Fax +39 (059) 253512  
 mail: tecnord@tecnord.com • www.tecnord.com

## MANUAL OVERRIDE OPTIONS - MECHANICAL VALVES

|   |  |                                      |
|---|--|--------------------------------------|
|    | 22020047<br>34502032<br>66700059             | <b>MINI SERIES</b>                   |
|    | 34502000                                     | <b>DELTA SERIES</b>                  |
|    | 22020005<br>34502006<br>36202008             | <b>DELTA SERIES</b>                  |
|    | 22020004<br>34502004<br>34502003<br>66700027 | <b>DELTA SERIES</b>                  |
|   | 22020003<br>34502003<br>66700027             | <b>DELTA SERIES</b>                  |
|  | 34502008                                     | <b>DELTA SERIES</b>                  |
|  | 22020049<br>34502017<br>66700059             | <b>DELTA SERIES<br/>SUPER SERIES</b> |
|  | 34502024                                     | <b>POWER SERIES</b>                  |
|  | 22020058<br>34502019<br>66700059             | <b>POWER SERIES</b>                  |

**WARNING:** the specifications/application data shown in our catalogs and data sheets are intended only as a general guide for the product described (herein). Any specific application should not be undertaken without independent study, evaluation, and testing for suitability.



4484 Boeing Drive Rockford, IL 61109 • USA • Phone +1 (815) 397-6628 • Fax +1 (815) 397-2526  
mail: delta@delta-power.com • www.delta-power.com

**TECNORD**

Via Malavolti, 36 • 41122 Modena • ITALY • Phone +39 (059) 254895 • Fax +39 (059) 253512  
mail: tecnord@tecnord.com • www.tecnord.com